

# INSTALLATION INSTRUCTIONS INSTITUTIONAL WALL CONVECTOR SERIES 8800

BASE UNIT MODEL DESIGNATION:

H	880	5	125
1	2	3	4

DIGIT 1. VOLTAGE: E=120, F=208, G=277, H=240, L=346, P=480, U=600

DIGIT 2. MODEL SERIES

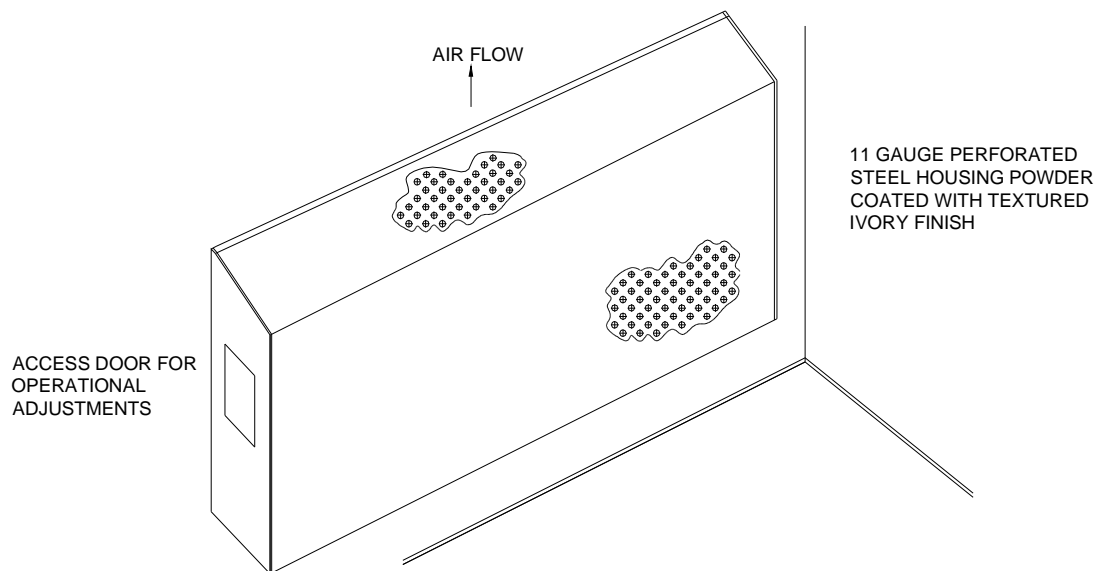
DIGIT 3. UNIT LENGTH IN INCHES: 1=18, 2=28, 3=36, 4=48, 5=60, 6=72

DIGIT 4. UNIT WATTAGE: 050=500, 075=750, 100=1000, 125=1250, 150=1500, 200=2000

WARNING: READ COMPLETE INSTRUCTIONS AND PRECAUTIONARY STATEMENTS BEFORE INSTALLING HEATERS.

CAUTION: DO NOT OPERATE HEATER WITH FRONT COVER REMOVED. THIS HEATER GENERATES HIGH TEMPERATURES. KEEP ELECTRICAL CORDS, DRAPES AND OTHER FURNISHINGS AWAY FROM HEATER.

CAUTION: HAZARD OF ELECTRICAL SHOCK. DISCONNECT ALL POWER BEFORE SERVICING.



## INSTALLATION:

1. WHENEVER INSTALLING OR SERVICING THIS EQUIPMENT, BE SURE THE POWER IS OFF AT THE MAIN BREAKER OR SWITCH.
2. ALL WIRING MUST CONFORM TO LOCAL AND NATIONAL CODES.
3. DO NOT INSTALL A HEATER NEAR WATER OR IN A CORROSIVE OR EXPLOSIVE ATMOSPHERE, NOR ON OR NEAR HIGHLY FLAMMABLE MATERIAL SUCH AS PAPER OR FIBER BOARD INSULATION TYPE PRODUCTS.
4. HIGH TEMPERATURE: KEEP ELECTRICAL CORDS, FURNITURE, DRAPERIES OR ANY OTHER BLOCKING MATERIAL AWAY FROM THE TOP OR FRONT OF THE HEATER.
5. BE SURE THE SUPPLY VOLTAGE IS THE SAME AS WHAT IS LISTED ON THE HEATER NAMEPLATE.

STEP 1: CONCEALED DAMAGE:  
 THE EQUIPMENT IS IN GOOD CONDITION WHEN IT LEAVES THE FACTORY. BE SURE TO INSPECT THE CARTONS CAREFULLY FOR CONCEALED DAMAGE AND REPORT IT TO THE CARRIER IMMEDIATELY.

STEP 2: SELECT LOCATION: SEE FIGURE 1 FOR CLEARANCES:  
 SELECT MOUNTING LOCATION WHICH ALLOWS THE FOLLOWING MINIMUM CLEARANCES FROM WALLS OR OBSTRUCTIONS:  
 1. 12 INCHES FROM LEFT END OF HEATER TO ALLOW EASY ACCESS FOR INSTALLING AND OPERATIONAL ADJUSTMENTS.  
 2. 1 INCH FROM RIGHT END TO PROVIDE ACCESS FOR COVER REMOVAL.  
 3. 4 INCHES FROM FINISHED FLOOR TO BOTTOM OF FRONT COVER.

FIGURE 1

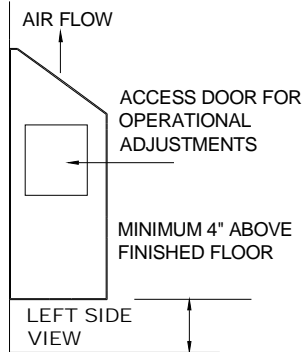
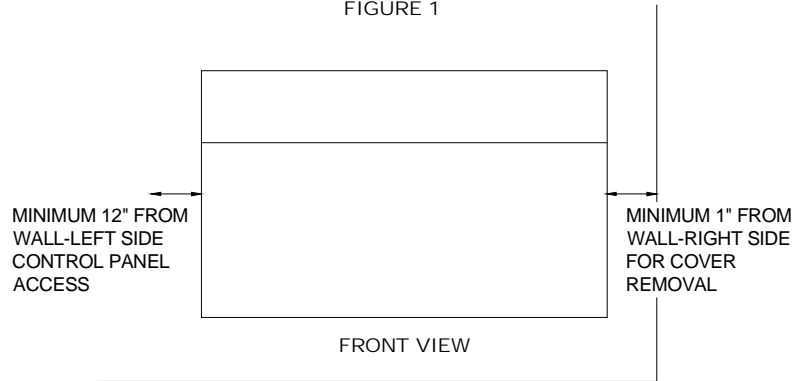


FIGURE 1



STEP 3: (DISCONNECT POWER BEFORE SERVICING) REMOVE FRONT COVER:  
 REMOVE FRONT COVER BY LOCATING AND REMOVING SCREWS IN COVER. PUNCH OUT SELECTED KNOCKOUT IN LOWER LEFT OF BACK PANEL. USING APPROVED CONNECTORS AND WIRING METHODS, RUN SUPPLY WIRES TO JUNCTION BOX AREA. SEE FIGURE 2 FOR KNOCKOUT LOCATIONS.

STEP 4: HEATER MOUNTING:  
 MOUNT BACK PANEL OF HEATER TO SELECTED VERTICAL WALL USING MOUNTING SLOTS. MAKE SURE THAT ALLOWANCE FROM ADJACENT WALLS IS FOLLOWED AS STATED ABOVE. SEE TABLE 1 FOR DIM. "D" AND "L". SEE FIGURE 2 FOR MOUNTING SLOT LOCATIONS.

STEP 5: ELECTRICAL CONNECTION:  
 VERIFY THAT SUPPLY VOLTAGE AND HEATER NAMEPLATE VOLTAGE ARE THE SAME. USING TWIST CONNECTORS, CONNECT L1 AND L2 TO LINE SUPPLY. CONNECT GROUND WIRE TO CABINET GROUND SCREW. ELEMENT FINS CAN CAUSE CUTS, DO NOT TOUCH.

STEP 6: REINSTALL FRONT COVER:  
 REPLACE FRONT COVER BEING CAREFUL NOT TO DAMAGE ELEMENTS. STRAIGHTEN ELEMENT FINS AS NEEDED. REPLACE SCREWS IN FRONT COVER TO COMPLETE INSTALLATION.

FIGURE 2:

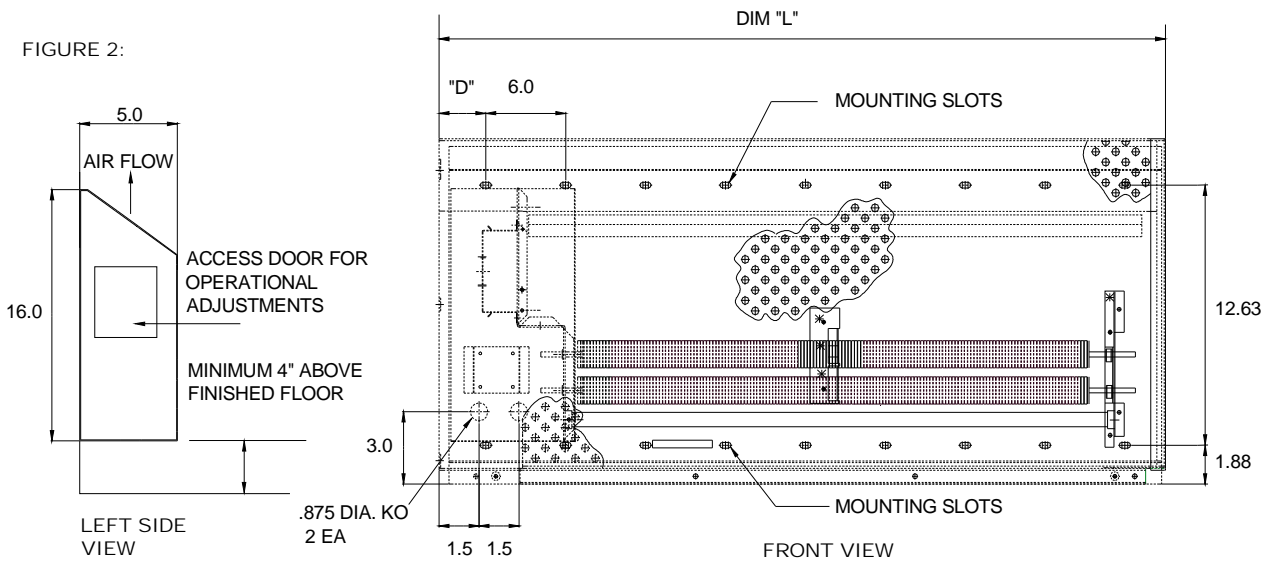
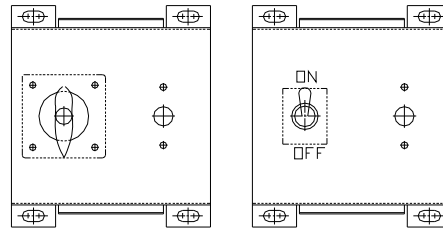


TABLE 1:

UNIT LENGTH DIM "L" INCHES	MAX WATTS	DIM "D"
18	500	2.84
28	750	1.84
36	1000	2.84
48	1250	2.84
60	1500	2.84
72	2000	2.84

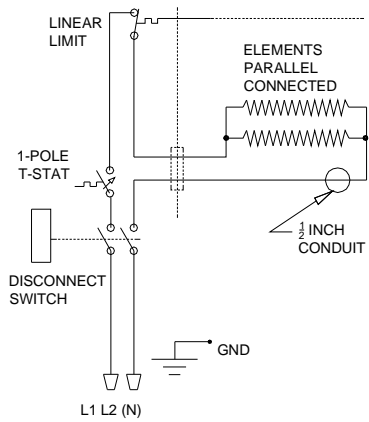
CONTROL PANEL DETAIL:



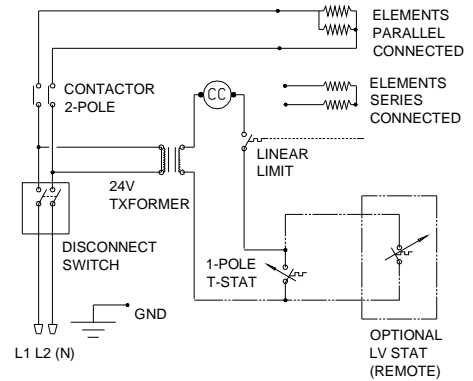
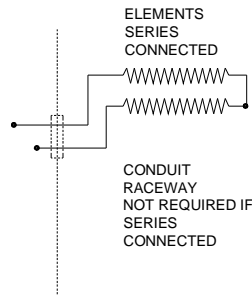
DETAIL 1:  
CONTROL PANEL  
MODELS ABOVE  
300 VAC

DETAIL 2:  
CONTROL PANEL  
MODELS BELOW  
300VAC

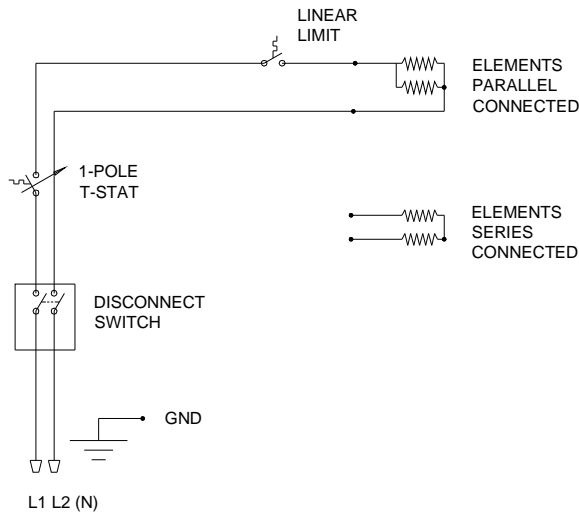
TYPICAL WIRING DIAGRAMS:



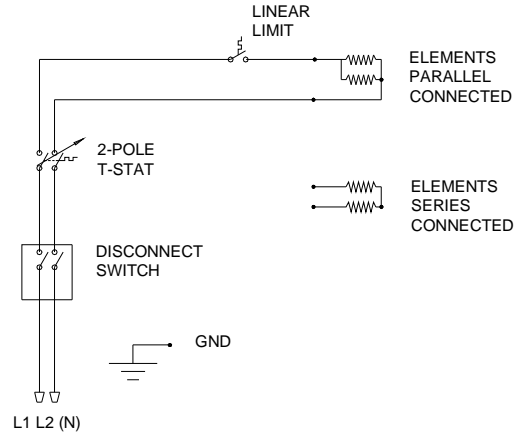
STANDARD UNIT  
120 THRU 277 VOLTS  
WITH 1 POLE THERMOSTAT



LOW VOLTAGE CONTROL  
DISCONNECT-1 POLE THERMOSTAT



LINE VOLTAGE CONTROL  
DISCONNECT SWITCH,  
1 POLE THERMOSTAT



LINE VOLTAGE CONTROL  
DISCONNECT SWITCH  
2 POLE THERMOSTAT