

WALL HEATERS

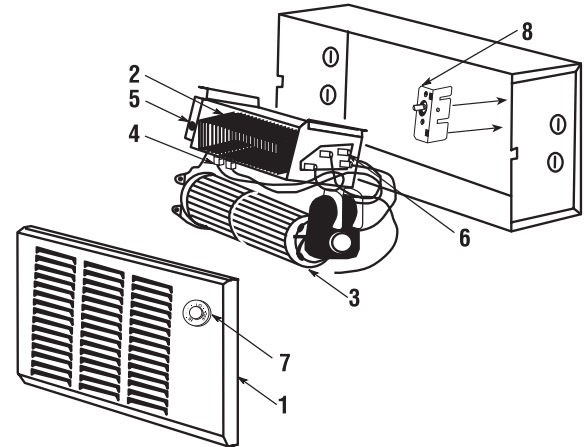
"Click" on part number to view price and availability
www.morelectriceheating.com

SED

	SED1012C	SED1024C	SED1512	SED2024	SED1512CR
Thermostat	410130001	410130001	410130001	410130001	—
Grille	2501-2054-001	2501-2054-001	2501-2054-000	2501-2054-000	2501-2054-001
Motor	3900-2037-000	3900-2037-001	3900-2037-000	3900-2037-001	3900-2037-000
Hi Limit	4520-2055-000	4520-2055-000	4520-2055-000	4520-2055-000	4520-2055-000
Light	3510-2017-002	3510-2017-003	3510-2017-002	3510-2017-003	3510-2017-002
Parts Bag	1205-2049-500	1205-2049-500	1205-2049-500	1205-2049-501	1205-2049-002
Fan Blade	1210-2008-000	1210-2008-000	1210-2008-000	1210-2008-000	1210-2008-000
Element	1802-2124-003	1802-2124-005	1802-2124-000	1802-2124-005	1802-2124-000

GFR

Key No.	Description	Part Number		
		R-1500 & T2	R-2004 & T2	R-2404 & T2
1	Grille	2501-2026-000	2501-2026-000	2501-2026-000
2	Element	302023802	302023805	302023809
3	Blower Assembly	1225-2000-000	1225-2000-001	1225-2002-001
4	Wattage Board A Models	1249-2005-000 1249-2005-000	1249-2005-000 1249-2005-000	1249-2005-000 1249-2005-000
5	Light	3510-2010-000	3510-2010-000	3510-2010-000
6	High Limit	4520-2025-000	4520-2025-000	4520-2025-001
7	Knob	3301-2014-004	3301-2014-004	3301-2014-004
8	S.P. Thermostat	410129001	410129001	410129001
	D.P. Thermostat	410130001	410130001	410130001
9	High Limit*	410143000	410143000	4520-2029-000



*Only on models built 1997- present.

CFWF

Key No.	Description	Part Number
1	Top Front Panel	1402-2312-000
2	Bottom Front Panel	1402-2313-000
3	Top Trim Panel	5806-2004-000
4	Motor	3900-2036-000
5	Relay	5018-2017-001
6	Transformer	5814-0003-000
7	Safety High Limit	4520-2053-000
8	Heating Element Assy	1802-2117-000
9	Fan Blade	1210-2009-000
10	Pilot Light	3510-2018-000

ECP

Description	Part Number	
	ECP1024	ECP1524
Front Cover, Assembled	1016-0042-500	1016-0042-500
Plug Connector	2701-2029-000	2701-2029-000
Element	302012808	302012803
Safety Limit	4520-2025-001	4520-2025-001

EFQ

Model Number	Part Number							
	Element (2pcs)	Thermostat	Fan Delay (2pcs)	Manual Reset (2pcs)	Grille	Motor (2pcs)	Fan Blades (2pcs)	Transformer
Q6008	302012808	5813-0023-000	410074000	4520-2027-000	2501-2027-000	3900-2010-000	490030103	—
Q6004	302012809	5813-0023-000	410074000	4520-2027-000	2501-2027-000	3900-2010-001	490030103	—
Q6007	302012806	5813-0023-000	410074000	4520-2027-000	2501-2027-000	3900-2010-001	490030103	—
Q6003	302012819	410168002	410074000	4520-2027-000	2501-2027-000	3900-2010-001	490030103	490015017
Q60048	302012825	410168002	410074000	4520-2027-000	2501-2027-000	3900-2010-001	490030103	490015022
Q6006	302012820	410168002	410074000	4520-2027-000	2501-2027-000	3900-2010-001	490030103	490015013
Q8008	302012807	5813-0023-000	410074000	4520-2027-000	2501-2027-000	3900-2010-000	490030103	—
Q8004	302012808	5813-0023-000	410074000	4520-2027-000	2501-2027-000	3900-2010-001	490030103	—
Q8007	302012809	5813-0023-000	410074000	4520-2027-000	2501-2027-000	3900-2010-001	490030103	—
Q8003	302012821	410168002	410074000	4520-2027-000	2501-2027-000	3900-2010-001	490030103	492215017
Q80048	302012826	410168002	410074000	4520-2027-000	2501-2027-000	3900-2010-001	490030103	490015022
Q8006	302012822	410168002	410074000	4520-2027-000	2501-2027-000	3900-2010-001	490030103	490015013

Note: Disconnect Switch for all units is 5216-2025-000