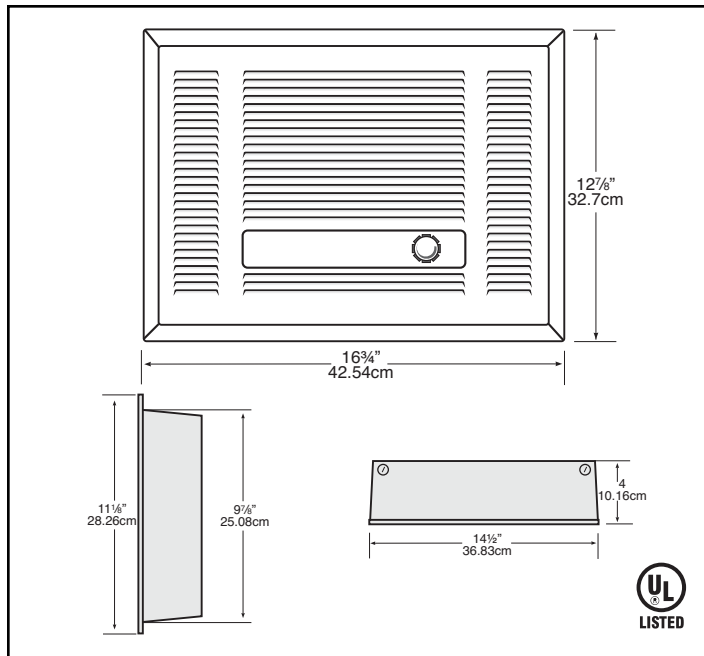




The SL Series

OWNER'S GUIDE

**TOOLS REQUIRED:**

Phillips Screwdriver
Straight Screwdriver
Wire Strippers

Utility Knife
(4) 1 1/2" Wood Screws
Insulated Wire Connectors
(1) Strain Relief Connector

Features & Benefits

- Commercial grade high temperature manual reset
- Grill design provides even air distribution
- Quiet operation
- Built-in double pole thermostat
- Powder coat paint process eliminates sharp metal edges
- Two year extended warranty

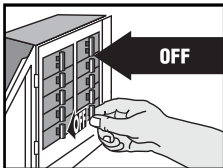
MODELS:

SL152TW
SL192TW
SL252TW
SL302TW
SL101TW
SL151TW

**New installation
requires wall can
(sold separately):**

**SLC Recess Mount
SLC-S Surface Mount**

IMPORTANT INSTRUCTIONS

**⚠ WARNING**

Turn the electrical power off at the electrical panel board (circuit breaker or fuse box) and lock or tag the panel board door to prevent someone from turning on power while you are working on the heater. Failure to do so could result in serious electrical shock, burns, or possible death.

1. Read all instructions before using this heater.
2. Read all information labels. **Verify that the electrical supply wires are the same voltage as the heater.**
3. All electrical work and materials must comply with the National Electric Code (NEC), the Occupational Safety and Health Act (OSHA), and all state and local codes.
4. Connect the grounding screw provided in the wall can to the supply ground wire.
5. If you need to install a new circuit or need additional wiring information, consult a qualified electrician.
6. Protect electrical supply from kinks, sharp objects, oil, grease, hot surfaces or chemicals.
7. **⚠ WARNING**
Overheating or fire may occur. DO NOT install the heater in a floor, ceiling, behind doors, or outdoors.

8. ⚠ WARNING

Fire or explosion may occur. Heater has hot and arcing or sparking parts inside. Do not install heater in any area where combustible vapors, gases, liquids, or excessive lint or dust are present.

9. ⚠ WARNING

Burn Hazard. This heater is hot when in use. To avoid burns, do not let bare skin touch hot surfaces. Use extreme caution when any heater is used by or near children or invalids and whenever the heater is left operating unattended.

10. ⚠ WARNING

Risk of Electrical Shock. Keep all foreign objects out of heater. Do not operate after heater malfunctions or has been dropped or damaged in any manner.

11. ⚠ WARNING

Risk of Fire. Do not block heater. Heater must be kept clear of all obstructions: a minimum of 3 feet in front, 6 inches above and on both sides. Heater must be kept clean of excessive lint, dirt and debris. (See Maintenance Instructions).

12. Use this heater only as described in this manual. Any other use not recommended by the manufacturer may cause fire, electrical shock, or injury to persons.

SAVE THESE INSTRUCTIONS

READ ALL INSTRUCTIONS AND SAFETY INFORMATION

IMPORTANT!
It is extremely important you verify that the electrical supply wires are the same voltage as the heater (i.e. 120 volt heater to 120 volt power supply and 240 volt heater to 240 volt power supply). If replacing an existing heater, check the labels of the old heater and replace using the same voltage. Hooking a 240 volt heater to a 120 volt power supply will drastically reduce the heater's output. Hooking a 120 volt heater to a 240 volt power supply will destroy the heater.
Connecting your heater to an incompatible power supply will void the warranty.

Installation Instructions

Part One

PLACEMENT: For best results install the SL heater on an inside wall. Headers and bracing are not necessary. **NOTE:** The wall can must be installed in the TOP UP (horizontal) position only.

THERMOSTAT: A built-in double pole thermostat is included.

How do I install for new construction?

STEP 1 Mount The Wall Can

The SL series **REQUIRES** a minimum distance of 6 inches from adjacent surfaces and 6 inches from the floor. However, Cadet **RECOMMENDS** 12 inches from all adjacent surfaces and 12 inches from the floor for longer and cleaner performance. Heaters must be spaced at least 3 feet apart. Secure the wall can to the studs and/or sill plate with screws through the larger ($\frac{3}{16}$ inch) holes.

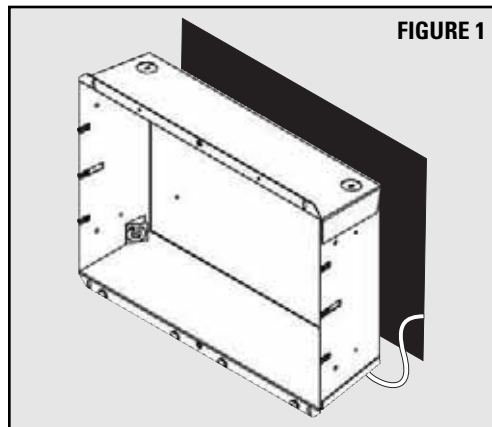


FIGURE 1

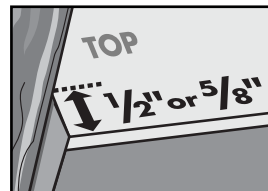


FIGURE 2
Face of wall can must extend $\frac{1}{2}$ or $\frac{5}{8}$ inch from face of stud to allow for thickness of sheetrock.

STEP 2 Route Supply Wires

Route supply wire from circuit breaker to wall can. Remove a knockout and attach the supply wire with a strain relief connector, leaving 6 inches of wire lead for later use. Connect supply ground wire to grounding screw in wall can (See Figure 3). Proceed to PART TWO.

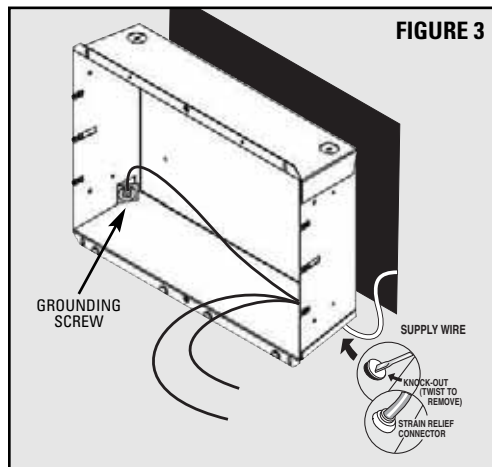


FIGURE 3

How do I install in an existing wall?

STEP 1 Cut Hole in Wall

Cut a hole $14\frac{5}{8}$ inches wide by 10 inches high next to wall stud. The SL series **REQUIRES** a minimum distance of 6 inches from adjacent surfaces and 6 inches from the floor. However, Cadet **RECOMMENDS** 12 inches from all adjacent surfaces and 12 inches from the floor (See Figure 4) for longer and cleaner performance. Heaters must be spaced at least 3 feet apart.

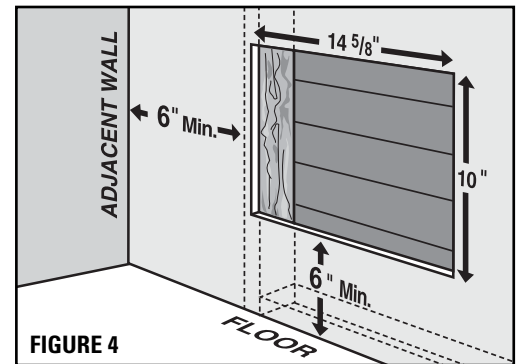


FIGURE 4

STEP 2 Route Supply Wires

Route supply wire from circuit breaker to wall can. Remove a knockout and attach the supply wire with a strain relief connector, leaving 6 inches of wire lead for later use (See Figure 3).

STEP 3 Mount The Wall Can

Insert wall can into opening. Keeping front of wall can flush with wall, secure to wall stud with screws through the four larger ($\frac{3}{16}$ inch) holes.

STEP 4 Connect Ground Wire

Connect supply ground wire to grounding screw in wall can (See Figure 3). Proceed to PART TWO.

Installation Instructions

Part Two

After you have followed all instructions, in Part One, for either new construction or an existing wall, you are ready to install the heater assembly.

How do I insert the heater assembly into the wall can?

STEP 1 Heater Assembly

Connect the supply wires to the heater wires with wire connectors.

IMPORTANT: On 120 volt heaters, the white heater wire must connect to the white supply wire.

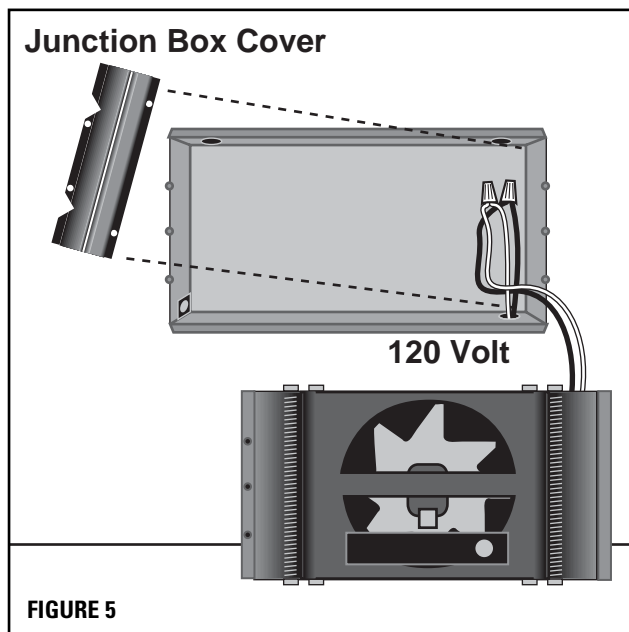
Install the junction box cover so that the wire connections are located between the cover and wall can using the screws provided.

Place heater assembly inside wall can and secure with four screws.

STEP 2 Install Grill

Secure grill with screws provided. Slide thermostat knob onto shaft.

IMPORTANT: Before turning on power, be sure the control is turned to the lowest setting.



Operation & Maintenance

How to operate your heater

- Once installation is complete and power has been restored, turn the thermostat knob fully clockwise.
- When the room reaches your comfort level, turn the thermostat knob counterclockwise until the heater turns off. The heater will automatically cycle around this preset temperature.
- To reduce the room temperature, turn the knob counterclockwise. To increase the room temperature, turn the knob clockwise.
- Once you verify the power has been turned off correctly, proceed to the next step.
- Remove screws and take off grill.
- Wash grill with hot soapy water and dry immediately.
- While holding fan (to avoid damage or bending), use a hair dryer or vacuum on blow cycle to blow debris through the elements (do not touch element).
- Vacuum fan area without touching the elements.
- Replace grill and secure with screws.
- Turn thermostat to desired setting.
- Turn power back on at the electrical panel board.

Maintenance

As needed, or every six months minimum.

- WARNING!** Before removing grill, turn the electrical power off at the electrical panel board (circuit breaker or fuse box). Lock or tag the panel board door to prevent someone from accidentally turning the power on while you are working on the heater. Failure to do so could result in serious electrical shock, burns, or possible death.
- It is important that you verify power has been turned off and no power is going to the heater before proceeding. Circuit breakers are often not marked correctly and turning the wrong breaker off could mean electricity is flowing to the heater, even if the heater does not appear to be working. If you are uncomfortable working with electrical appliances, unable to follow these guidelines, or do not have the necessary equipment, consult a qualified electrician.

About the Heater Temperature-Limiting Controls

The heater is protected by a manual reset temperature limiting control designed to open the heater circuit when excessive operating temperatures are detected. The problem must be assessed and the limit must be reset to resume operation.

Resetting the Manual-Reset Limit Control

If the manual reset limit control has opened the heater circuit due to excessive operating temperatures, the heater will not work until the limit reset button is pressed. After allowing the unit to cool for at least 10 minutes, turn the electrical power off at the electrical panel board (circuit breaker or fuse box) and remove the grill. Once the problem causing the limit to trip has been resolved (typically the heater is blocked or needs cleaning), push button located on the left side of the heat box. Press FIRMLY, and be sure to listen and feel for a click, indicating it has been reset.

WARNING
Risk of Electrical Shock. Connect grounding lead to grounding screw provided.

Keep all foreign objects out of heater.

WARNING
Risk of Fire. Heater must be kept clear of all obstructions: a minimum of 3 feet in front; 6 inches on both sides and above. Heater must be kept clean of lint, dirt and debris.

WARNING
Turn the electrical power off at the electrical panel board (circuit breaker or fuse box) and lock or tag the panel board door to prevent someone from turning on power while you are working on the heater. Failure to do so could result in serious electrical shock, burns, or possible death.

Troubleshooting Chart

CONSULT LOCAL ELECTRICAL CODES TO DETERMINE WHAT WORK MUST BE PERFORMED BY QUALIFIED ELECTRICAL SERVICE PERSONNEL

Symptom	Problem	Solution
Breaker trips immediately upon energizing heater.	<ol style="list-style-type: none"> 1. Incorrect supply voltage. 2. Overloaded circuit. 3. A short circuit exists in the supply or heater wiring. 4. Defective circuit breaker. 	<ol style="list-style-type: none"> 1. Verify that supply voltage matches the heater rating. 2. The total amperage of all heaters on a branch circuit must not be more than 80% of the amperage rating of the circuit breaker and supply wire ratings. Use a lower wattage heater, or reduce the number of heaters on the circuit. 3. Shorted supply or heater wires may be accompanied by severe sparking. Inspect all supply and heater wiring insulation for damage. Do not reset the circuit breaker until all electrical shorts have been repaired. 4. Replace the circuit breaker.
Heater fan operates, but does not discharge warm air.	<ol style="list-style-type: none"> 1. Insufficient element temperature. 2. Incorrect supply voltage. 3. Element has failed. 	<ol style="list-style-type: none"> 1. Allow a few moments for element to reach operating temperature. 2. Verify that supply voltage matches the heater (ex. 240V to 240V or 120V to 120V). 3. Replace element.
Heater will not shut off.	<ol style="list-style-type: none"> 1. Heat loss from room is greater than heater capacity. 2. Defective thermostat. 3. Thermostat wired incorrectly to heater. 	<ol style="list-style-type: none"> 1. Close doors and windows. Provide additional insulation, or install a higher-wattage heater or multiple heaters if necessary. 2. Adjust thermostat to its lowest setting. If heater continues to run, replace thermostat. 3. Refer to thermostat documentation and correct wiring.
Heater discharges smoke or emits a burnt odor.	<ol style="list-style-type: none"> 1. Dust, lint or other matter has accumulated inside heater. 	<ol style="list-style-type: none"> 1. Clean heater (see "Operation & Maintenance" section for instructions).
Element heats for a moment without the fan turning, then immediately stops heating.	<ol style="list-style-type: none"> 1. Defective motor or internal connection. 2. Fan or motor jammed. 	<ol style="list-style-type: none"> 1. Heater or fan motor requires replacement. 2. Remove obstruction and press heater reset button (after allowing the unit to cool). Test heater operation--if reset button has been pressed (be sure to listen and feel for a click indicating it has been reset), but heater does not run, heater requires repair or replacement.
Heater does not run.	<ol style="list-style-type: none"> 1. Thermostat set too low. 2. Heater has tripped the high-temperature reset switch. 3. Power not on at the circuit breaker. 4. Broken or poorly connected wire(s) to heater. 5. Defective thermostat. 	<ol style="list-style-type: none"> 1. Adjust thermostat to a higher temperature until heater operates (see Problem #5 if the problem persists). 2. Press the heater reset button (see "Operation & Maintenance" section for instructions). 3. Turn on the correct circuit breaker in the main panel. 4. Turn off power at circuit breaker. Check supply wire continuity and proper connection to heater wires. 5. The entire heater, or any of its components may be checked for continuity to determine the cause of any problems. Repair or replace the heater.

Warranty

Maintenance: For more effective and safer operation and to prolong the life of the heater, read the Owner's Guide and follow the maintenance instructions included with each heater. Failure to properly maintain the heater will void any warranty and may cause the heater to function improperly. Warranties are non transferable and apply to original consumer only. Warranty terms are set out below.

LIMITED ONE-YEAR WARRANTY: Cadet will repair or replace any Cadet product, including thermostats, found to be defective within one year after the date of purchase.

Extended Product Warranty

LIMITED TWO-YEAR WARRANTY: Cadet will repair or replace any SL Series element or motor found to be defective within two years after the date of purchase.

THESE WARRANTIES DO NOT APPLY:

1. Damage occurs to the product through improper installation or incorrect supply voltage;
2. Damage occurs to the product through improper maintenance, misuse, abuse, accident, or alteration;
3. The product is serviced by anyone other than Cadet;
4. If the date of manufacture of the product cannot be determined;
5. If the product is damaged during shipping through no fault of Cadet.
6. CADET'S WARRANTY IS LIMITED TO REPAIR OR REPLACEMENT AS SET OUT HEREIN. CADET SHALL NOT BE LIABLE FOR DAMAGES SUCH AS PROPERTY DAMAGE OR FOR CONSEQUENTIAL DAMAGES AND/OR INCIDENTAL EXPENSES RESULTING FROM BREACH OF THESE WRITTEN WARRANTIES OR ANY EXPRESS OR IMPLIED WARRANTY.

7. IN THE EVENT CADET ELECTS TO REPLACE ANY PART OF YOUR CADET PRODUCT, THE REPLACEMENT PARTS ARE SUBJECT TO THE SAME WARRANTIES AS THE PRODUCT. THE INSTALLATION OF REPLACEMENT PARTS DOES NOT MODIFY OR EXTEND THE UNDERLYING WARRANTIES. REPLACEMENT OR REPAIR OF ANY CADET PRODUCT OR PART DOES NOT CREATE ANY NEW WARRANTIES.

8. These warranties give you specific legal rights, and you may also have other rights which vary from state to state. Cadet neither assumes, nor authorizes anyone to assume for it, any other obligation or liability in connection with its products other than as set out herein.

If you believe your Cadet product is defective, please, contact Cadet Manufacturing Co. at 360-693-2505, during the warranty period, for instructions on how to have the repair or replacement processed. Warranty claims made after the warranty period has expired will be denied. Products returned without authorization will be refused.

Parts and Service

Visit <http://support.cadetco.com> for information on where to obtain parts and service.



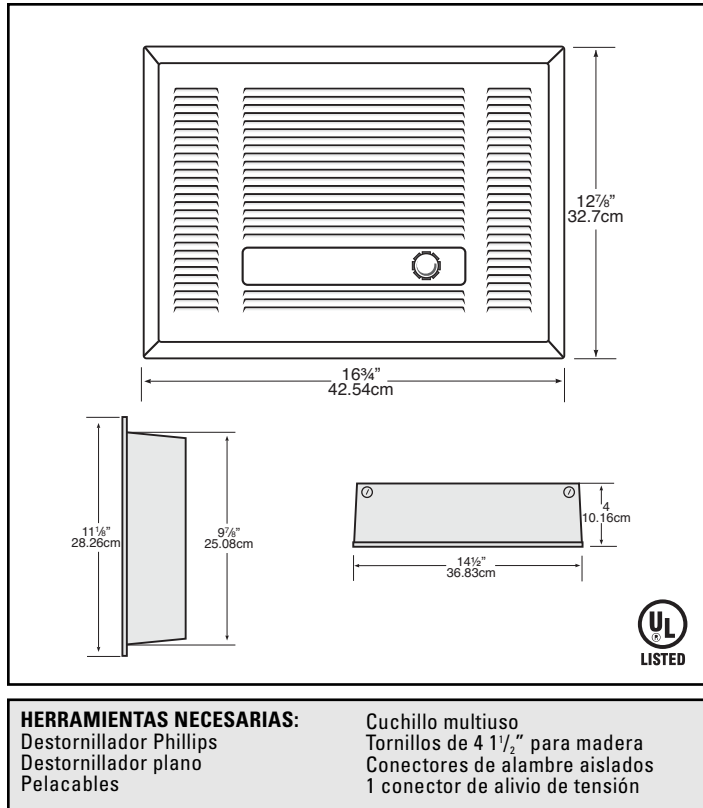
Reduce-Reuse-Recycle

This product is made primarily of recyclable materials. You can reduce your carbon footprint by recycling this product at the end of its useful life. Contact your local recycling support center for further recycling instructions.



La Serie SL

GUÍA PARA EL PROPIETARIO



Características y Beneficios

- Reglaje manual de alta temperatura y calidad comercial
- Diseño de la rejilla ofrece una distribución pareja del aire
- Funcionamiento silencioso
- Termostato de doble polo incorporado
- Proceso de pintado con cobertura pulverizada que elimina los bordes metálicos cortantes
- Garantía extendida de dos años

MODELOS:

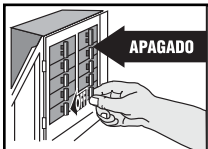
SL152TW SL302TW
SL192TW SL101TW
SL252TW SL151TW

Nueva instalación

requiere cámara de pared
(se vende por separado):

Montura embutida SLC
Montura de superficie SLC-S

INSTRUCCIONES IMPORTANTES



⚠ ¡ADVERTENCIA!

Desconecte la electricidad en el tablero del panel eléctrico (cortacircuito o caja de fusibles) y trabe o coloque un cartel en la puerta del tablero del panel para evitar que alguien vuelva a conectar la energía mientras se esté trabajando en el calentador. De lo contrario podrían producirse graves golpes eléctricos, quemaduras e incluso la muerte.

1. Lea todas las instrucciones antes de usar este calentador.
2. Lea todas las etiquetas que contengan información. **Verifique que todos los cables de suministro eléctrico sean del mismo voltaje que el calentador.**
3. Todo trabajo y materiales eléctricos deben cumplir con el Código Eléctrico Nacional ("NEC", por sus siglas en inglés), con la Ley de Seguridad y Salud Ocupacional ("OSHA", por sus siglas en inglés) y con todos los códigos estatales y locales.
4. Conecte el alambre de tierra en espiral (de cobre) que viene en la cámara de pared al alambre de puesta a tierra del suministro.
5. Si debe instalar un nuevo circuito o necesita información adicional sobre el cableado, consulte a un electricista calificado.
6. Evite que los cables de suministro eléctrico se retuerzan o entren en contacto con objetos afilados, aceite, grasa, superficies calientes o sustancias químicas.

7. ⚠ ¡ADVERTENCIA!

Podría producirse recalentamiento o un incendio. **NO** instale el calentador sobre el suelo, cielo raso, o detrás de puertas.

8. ⚠ ¡ADVERTENCIA!

Podrían producirse explosiones o incendios. **NO** instale el calentador en áreas donde exista la presencia de vapores, gases o líquidos combustibles o exceso de pelusas o polvo.

9. ⚠ ¡ADVERTENCIA!

Riesgo de quemaduras. Este calentador se calienta mucho cuando está en uso. Para evitar quemaduras, no lo toque con su piel descubierta. Tenga mucho cuidado al utilizar cualquier tipo de calentador en presencia de niños o personas inválidas.

10. ⚠ ¡ADVERTENCIA!

Riesgo de electrocución. Conecte el conductor a tierra al cable de puesta a tierra provisto. Evite que entren objetos extraños al calentador.

11. ⚠ ¡ADVERTENCIA!

Riesgo de incendio. No bloquee el calentador. El calentador debe mantenerse sin obstrucciones: un mínimo de 3 pies por delante, 6 pulgadas por encima y en cada costado. Los calentadores deben mantenerse sin pelusas, suciedad ni residuos. (consulte las instrucciones de mantenimiento).

CONSERVE ESTAS INSTRUCCIONES

LEA TODAS LAS INSTRUCCIONES E INFORMACIÓN ACERCA DE LA SEGURIDAD

¡IMPORTANTE!
Es extremadamente importante verificar que los cables de suministro eléctrico sean del mismo voltaje que el calentador (es decir, un calentador de 120 voltios con un suministro de energía de 120 voltios y un calentador de 240 voltios con un suministro de energía de 240 voltios). Si va a reemplazar un calentador existente, revise las etiquetas del calentador antiguo y sustitúyalo por otro del mismo voltaje. Si se conecta un calentador de 240 voltios a un suministro de energía de 120 voltios, se reducirá drásticamente el rendimiento del calentador. Si se conecta un calentador de 120 voltios a un suministro de energía de 240 voltios, se destruirá el calentador. Si se conecta el calentador a un suministro de energía incompatible, se anulará la garantía.

Instrucciones para la Instalación

Parte Uno

UBICACIÓN: Para obtener mejores resultados, instale el calentador SL en una pared interior. No se necesitan brochales ni soportes. NOTA: La cámara de pared debe instalarse sólo con la parte superior hacia arriba (posición horizontal).

TERMOSTATO: Se incluye un termostato incorporado de doble polo.

¿Cómo se instala el calentador en una construcción nueva?

PASO 1 Montaje de la Cámara de Pared

La serie SL REQUIERE una distancia mínima de 6 pulgadas de las superficies adyacentes y 6 pulgadas del piso. Sin embargo, Cadet RECOMIENDA 12 pulgadas de distancia de todas las superficies adyacentes y 12 pulgadas del piso para una vida útil más larga y un funcionamiento más limpio. Si se instalan varios calentadores, deje al menos tres pies entre ellos. Fije la cámara de pared a los puntales y/o el larguero mediante tornillos a través de los orificios más grandes ($\frac{3}{16}$ de pulgada).

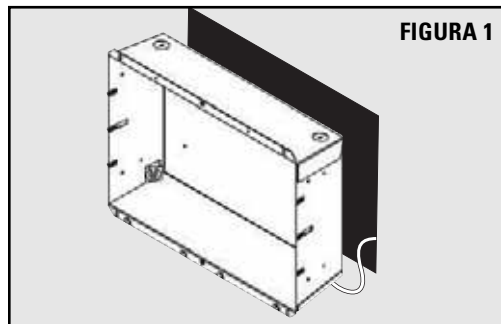
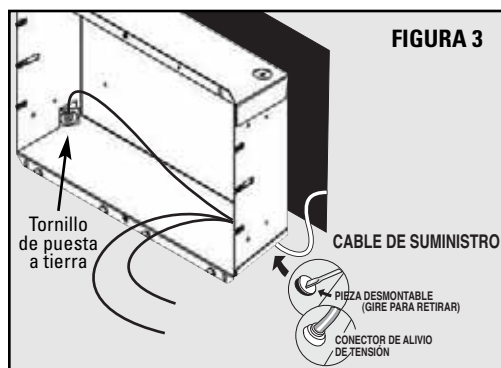


FIGURA 2
La superficie de la cámara de pared debe sobresalir entre $\frac{1}{2}$ pulgada y $\frac{5}{8}$ de pulgada de la superficie del puntal a fin de dejar espacio para la lámina de yeso.

PASO 2 Instalación de los Cables de Suministro

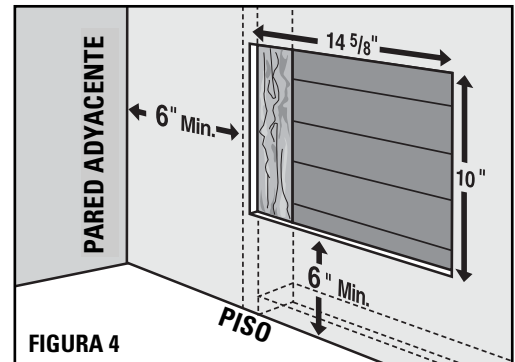
Dirija el cable de suministro desde el cortacircuito a la cámara de pared. Quite una de las piezas desmontables y coloque el cable de suministro mediante un conector de alivio de tensión dejando 6 pulgadas de cable de conexión para utilizarlo más adelante. Conecte el cable de suministro a tierra al tornillo de puesta a tierra situado en la cámara de pared (vea la figura 3). Continúe con la PARTE DOS.



¿Cómo se instala el calentador en una pared existente?

PASO 1 Corte un orificio en la pared

Corte un orificio de $14 \frac{1}{8}$ pulgadas de ancho por 10 pulgadas de alto al lado del puntal de la pared. La serie SL REQUIERE una distancia mínima de 6 pulgadas de las superficies adyacentes y 6 pulgadas del piso. Sin embargo, Cadet RECOMIENDA 12 pulgadas de distancia de todas las superficies adyacentes y 12 pulgadas del piso (vea la figura 4) para una vida útil más larga y un funcionamiento más limpio. Si se instalan varios calentadores, deje al menos tres pies entre ellos.



PASO 2 Instalación de los Cables de Suministro

Dirija el cable de suministro desde el cortacircuito a la cámara de pared. Quite una de las piezas desmontables y coloque el cable de suministro mediante un conector de alivio de tensión dejando 6 pulgadas de cable de conexión para utilizarlo más adelante (vea la figura 3).

PASO 3 Montaje de la Cámara de Pared

Coloque la cámara de pared en la apertura. Manteniendo la cámara al ras con la pared, fije la cámara al puntal con 2 tornillos a través de los cuatro orificios grandes (de $\frac{3}{16}$ de pulgada).

PASO 4 Conecte el Alambre de Tierra

Conecte el cable de conexión a tierra del suministro al tornillo de puesta a tierra situado en la cámara de pared (vea la figura 3). Continúe con la PARTE DOS.

Instrucciones para la Instalación

Parte Dos

Una vez que ha seguido todas las instrucciones de la Parte Uno, ya sea para una nueva construcción o para una pared existente, ya está preparado para instalar la unidad del calentador.

¿Cómo se coloca la unidad del calentador en la cámara de pared?

PASO 1 Instale la unidad del calentador

Empalme los alambres del suministro con los del calentador mediante los conectores de cables.

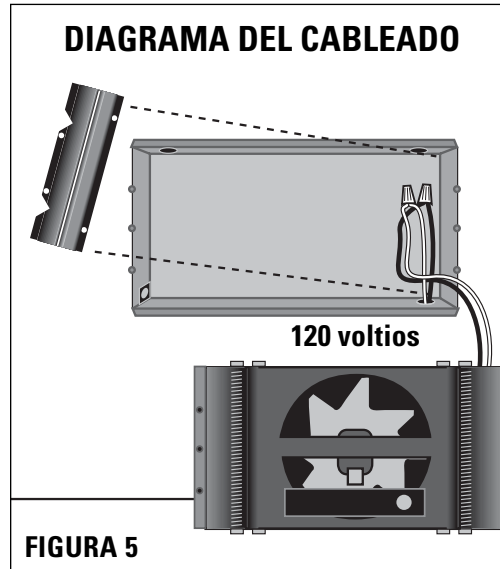
IMPORTANTE: En los calentadores de 120 voltios, el cable blanco del calentador debe conectarse al cable blanco de suministro.

Instale la cubierta de la caja de conexiones de modo que las conexiones de alambres se sitúen entre la cubierta y la cámara de pared mediante los tornillos suministrados.

PASO 2 Instale la rejilla

Fije la rejilla con los tornillos provistos. Deslice la perilla del termostato en el eje.

IMPORTANTE: Antes de conectar la energía, compruebe que el control esté en el ajuste más bajo.



Funcionamiento y Mantenimiento

Cómo hacer funcionar el calentador

- Una vez que se haya realizado la instalación y restablecido la energía eléctrica, gire la perilla del termostato totalmente en el sentido de las manecillas del reloj.
- Cuando la habitación haya alcanzado un nivel cómodo, gire la perilla del termostato en sentido contrario a las manecillas del reloj hasta que el calentador se apague. El calentador se encenderá y apagará automáticamente según esta temperatura preestablecida.
- Para reducir la temperatura del ambiente, gire la perilla en sentido contrario a las manecillas del reloj. Para aumentar la temperatura ambiente, gire la perilla en el sentido de las manecillas del reloj.

Mantenimiento

Según sea necesario, o cada seis meses como mínimo.

- ¡ADVERTENCIA!** Antes de quitar la rejilla, desconectar la energía eléctrica en el tablero del panel eléctrico (interruptor de circuitos o caja de fusibles). Trabaje la puerta del tablero del panel eléctrico o colocar un cartel para evitar que alguien conecte la electricidad accidentalmente mientras usted está trabajando con el calentador. No hacer esto podría resultar en electrocución, quemaduras o hasta la muerte.
- Antes de proceder, es importante que usted verifique que se haya desconectado la alimentación y que el calentador no reciba energía. Los cortacircuitos no suelen estar correctamente marcados, y apagar el incorrecto podría significar que sigue fluyendo electricidad al calentador, aun cuando éste parezca no estar funcionando. Si no se siente cómodo al trabajar con artefactos eléctricos, no está en condiciones de acatar estas pautas o no cuenta con los equipos necesarios, solicite los servicios de un técnico electricista calificado.
- Una vez que verifique que se ha apagado la alimentación correctamente, prosiga con el paso siguiente.

- Quitar los tornillos y retirar la rejilla.
- Lavar la rejilla con agua caliente con jabón y secar de inmediato.
- Mientras sostiene el ventilador (para evitar que se dañe u ondule), utilizar un secador de cabellos o aspiradora en el ciclo de soplado para soplar los residuos a través del elemento (No tocar el elemento).
- Aspirar el área del ventilador sin tocar los elementos.
- Volver a colocar la rejilla y asegurarla con los tornillos.
- Colocar el termostato a la graduación deseada.
- Volver a conectar la energía en el tablero del panel eléctrico

Acerca de los Controles del Límite de la Temperatura del Calentador

El calentador está protegido mediante un interruptor de reglaje manual de alta temperatura, diseñado para abrir el circuito del calentador cuando se detectan temperaturas de funcionamiento excesivas. El problema debe evaluarse y el límite debe restablecerse para que el calentador vuelva a funcionar.

Cómo Restablecer el Control de Límite de Reglaje Manual

Si el control de límite de reglaje manual ha abierto el circuito del calentador debido a temperaturas de funcionamiento excesivas, el calentador no funcionará sino hasta que se oprima el botón de reglaje del límite. Después de permitir que la unidad se enfríe durante por lo menos 10 minutos, desconecte la electricidad en el tablero del panel eléctrico (cortacircuito o caja de fusibles) y quite la rejilla. Una vez que se haya solucionado el problema que ocasionó que el límite saltara (generalmente el calentador está bloqueado o necesita limpieza), oprima el botón situado en el lado izquierdo de la caja del calentador. Oprima el botón FIRMEMENTE y asegúrese de escuchar y sentir un chasquido indicando que se ha restablecido.

¡ADVERTENCIA!
Riesgo de electrocución.
Conecte el conductor a tierra al tornillo de puesta a tierra suministrado.

¡ADVERTENCIA!
Riesgo de incendio.
El calentador debe mantenerse sin obstrucciones: un mínimo de 3 pies por delante, 6 pulgadas en cada costado y por encima. Los calentadores deben mantenerse sin pelusas, suciedad ni residuos.

¡ADVERTENCIA!
Desconecte la electricidad en el tablero del panel eléctrico (caja de cortacircuitos o fusibles) y trabaje o coloque un cartel en la puerta del tablero del panel para evitar que alguien vuelva a conectar la energía mientras se esté trabajando en el calentador. De lo contrario podrían producirse graves golpes eléctricos, quemaduras e incluso la muerte.

Tabla de Resolución de Problemas

CONSULTE LOS CÓDIGOS ELÉCTRICOS LOCALES PARA DETERMINAR QUÉ TRABAJOS DEBEN SER REALIZADOS POR PERSONAL DE SERVICIO ELÉCTRICO CALIFICADO

Síntoma	Problema	Solución
El interruptor salta inmediatamente al encenderse el calentador.	<ol style="list-style-type: none"> 1. Voltaje de suministro incorrecto. 2. Circuito sobrecargado. 3. Hay un cortocircuito en los cables de suministro o del calentador. 4. Cortacircuito defectuoso. 	<ol style="list-style-type: none"> 1. Compruebe que el voltaje de suministro coincida con la calificación del calentador. 2. El amperaje total de todos los calentadores en un circuito de rama no debe sobrepasar el 80% de la calificación de amperaje del cortacircuito y de las calificaciones de los cables de suministro. Utilice un calentador de vatiaje inferior o reduzca la cantidad de calentadores en el circuito. 3. Los cables de suministro o del calentador que presentan cortocircuitos pueden ocasionar chispas peligrosas. Revise el aislamiento de todos los cables de suministro y del calentador para comprobar que no estén dañados. No restablezca el cortacircuito sino hasta que se hayan reparado todos los cortocircuitos eléctricos. 4. Reemplace el cortacircuito.
El ventilador del calentador funciona pero no envía aire caliente.	<ol style="list-style-type: none"> 1. Temperatura insuficiente del elemento. 2. Voltaje de suministro incorrecto. 3. El elemento ha fallado. 	<ol style="list-style-type: none"> 1. Espere unos momentos para que el elemento alcance la temperatura de funcionamiento. 2. Compruebe que el voltaje de suministro coincida con el del calentador (por ej. 240V a 240V o bien 120V a 120V). 3. Reemplace el elemento.
El calentador no se apaga.	<ol style="list-style-type: none"> 1. La fuga de calor de la habitación es superior a la capacidad del calentador. 2. Termostato defectuoso. 3. Termostato cableado al calentador de forma incorrecta. 	<ol style="list-style-type: none"> 1. Cierre puertas y ventanas. Coloque aislamiento adicional, instale un calentador de mayor vatiaje o múltiples calentadores si fuera necesario. 2. Ajuste el termostato a la graduación más baja. Si el calentador continúa funcionando, reemplace el termostato. 3. Consulte la documentación del termostato y cableado correcto.
El calentador emite humo o un olor a quemado	<ol style="list-style-type: none"> 1. Se han acumulado polvo, pelusas u otros materiales dentro del calentador. 	<ol style="list-style-type: none"> 1. Limpie el calentador (vea las instrucciones en la sección "Funcionamiento y Mantenimiento").
El elemento calienta por un momento sin que gire el ventilador y luego deja de calentar.	<ol style="list-style-type: none"> 1. Motor o conexión interna defectuosos. 2. Ventilador o motor trabado. 	<ol style="list-style-type: none"> 1. Debe reemplazarse el calentador o el ventilador. 2. Quite la obstrucción y oprima el botón de reglaje del calentador (después de dejar que la unidad se enfríe). Pruebe el funcionamiento del calentador--si el botón de reglaje se ha oprimido (asegúrese de escuchar y de sentir un chasquido indicando que se ha restablecido), pero el calentador no funciona, el calentador debe repararse o reemplazarse.
El calentador no funciona.	<ol style="list-style-type: none"> 1. El termostato se ha graduado muy bajo. 2. El calentador ha hecho saltar el interruptor de reglaje de alta temperatura. 3. La energía no está conectada en el cortacircuito. 4. El o los cables que van al calentador están rotos o mal conectados. 5. Termostato defectuoso. 	<ol style="list-style-type: none"> 1. Ajuste el termostato a una temperatura más alta hasta que el calentador funcione (vea el Problema No.5 si el problema persiste). 2. Oprima el botón de reglaje del calentador (vea las instrucciones en la sección "Funcionamiento y Mantenimiento"). 3. Conecte el cortacircuito correcto en el panel principal. 4. Desconecte la energía en el cortacircuito. Revise la continuidad del cable de suministro y la conexión apropiada a los cables del calentador. 5. Se debe revisar la continuidad de todo el calentador, o bien de sus componentes a fin de determinar la causa de cualquier problema. Repare o reemplace el calentador.

Garantía

Mantenimiento: Para lograr una operación más eficaz y segura y prolongar la vida útil del calentador, lea la Guía del propietario y siga las instrucciones de mantenimiento incluidas con cada unidad. Si no le da el mantenimiento adecuado al calentador invalidará la garantía y puede hacer que el aparato funcione incorrectamente. Las garantías no son transferibles y rigen sólo para el comprador original. Los términos de la garantía se indican a continuación.

GARANTÍA LIMITADA DE UN AÑO: Cadet reparará o reemplazará todo producto Cadet, incluyendo los termostatos, que presente averías en un plazo de un año a partir de la fecha de compra.

Garantías extendidas de productos

GARANTÍA LIMITADA DE DOS AÑOS: Cadet reparará o reemplazará todo elemento o motor Serie SL que se determine que está averiado en un plazo de dos años a partir de la fecha de compra.

ESTAS GARANTÍAS NO SON PERTINENTES PARA:

1. Daños que sufra el producto por instalación o voltaje de suministro incorrectos;
2. Daños que sufra el producto por mantenimiento incorrecto, uso indebido, abuso, accidente o alteraciones;
3. Servicio que se le haya dado al producto por parte de personas o entidades ajenas a Cadet.
4. Casos en que no se pueda determinar la fecha de fabricación del producto;
5. Casos en que el producto resulte dañado durante el embarque por causas ajenas a Cadet.
6. LA GARANTÍA DE CADET SE LIMITA A LA REPARACIÓN O REEMPLAZO, TAL COMO SE ESTABLECE EN ESTE DOCUMENTO. CADET NO SE HARÁ RESPONSABLE POR DAÑOS A LA PROPIEDAD O DAÑOS CONSECUENTES, COMO TAMPOCO POR GASTOS ACCIDENTALES DEBIDO AL INCUMPLIMIENTO DE ESTAS GARANTÍAS ESCRITAS O DE CUALQUIER GARANTÍA EXPRESA O IMPLÍCITA.

7. EN CASO DE QUE CADET DECIDA REEMPLAZAR ALGUNA PIEZA DEL PRODUCTO CADET, LOS REPUESTOS SE REGISTRARÁN POR LAS MISMAS GARANTÍAS DEL PRODUCTO. LA INSTALACIÓN DE LOS REPUESTOS NO MODIFICA NI PROLONGA LAS GARANTÍAS VIGENTES. EL REEMPLAZO O REPARACIÓN DE TODO PRODUCTO O PIEZA CADET NO ORIGINA NINGÚN TIPO DE NUEVA GARANTÍA.

8. Estas garantías le otorgan derechos legales específicos y es posible que usted tenga otros derechos que varíen de un estado a otro. Cadet no asume ni autoriza a nadie que lo haga en su nombre, ninguna otra obligación o responsabilidad en relación con sus productos que no sean las que se establecen en este documento.

Si considera que su producto Cadet está averiado, comuníquese con Cadet Manufacturing Co. al 360-693-2505, durante el período de garantía, para conocer las instrucciones sobre cómo tramitar la reparación o repuesto. Los reclamos de garantía presentados después de la finalización del período no serán acogidos. Los productos devueltos sin autorización serán rechazados.

Repuestos y servicio

En <http://support.cadetco.com> encontrará información sobre dónde obtener repuestos y servicio.



Reduzca-reutilice-recicle

Este producto está hecho principalmente de materiales reciclables. Puede reducir la cantidad de carbono que contribuye al medio ambiente reciclando este producto al término de su vida útil. Comuníquese con su centro local de reciclaje para obtener mayores instrucciones al respecto.