

Portable Construction Heater

Heavy duty construction provides maximum durability for work site conditions where temporary heat is required.

Features

- 160 CFM delivers powerful heat output
- Thermal overheat protection for safety
- 6 foot cord with plug store around handle
- Stainless steel tubular element

Applications

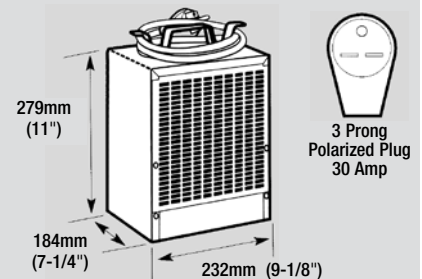
- Portable heat for workshops, garages, construction sites

Specifications

Voltage	240V
Wattage	4800W
Colour	Almond
Finish	Hybrid polyester epoxy powder coat paint.
Fan / Motor	Fan is propeller type, accurately balanced and correctly pitched to optimize performance.
Control	Single pole thermostat is built-in with temperature range of 7-25°C (45-77°F)
Warranty	One year warranty on complete unit. CUL and UL approved.



Dimensions



Ordering Guide

Cat. No.	Watts	BTU	Volts	CFM	Weight (kg/lbs.)
DCH4831A	4800	16377	240	160	4.4/9.7

Enclosed Motor Construction Heater

The enclosed motor design protects the motor from debris, extending the motor life.

Features

- 160 CFM delivers powerful heat output
- Thermal overheat protection for safety
- 6 foot cord with plug stores around handle
- Stainless steel tubular element
- Footstand for angled positioning

Applications

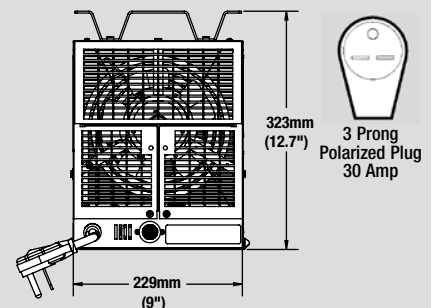
- Portable heat for workshops, garages, construction sites

Specifications

Voltage	240V
Wattage	4800W
Colour	Yellow
Finish	Hybrid polyester epoxy powder coat paint.
Fan / Motor	Fan is propeller type accurately balanced and correctly pitched to optimize performance.
Control	Single pole thermostat is built-in with temperature range of 7-25°C (45-77°F)
Warranty	One year warranty on complete unit. CSA certified and UL approved.



Dimensions



Ordering Guide

Cat. No.	Watts	BTU	Volts	CFM	Weight (kg/lbs.)
EMC4240	4800	16377	240	160	4.4/9.7