

Convection Heater

DLX Series

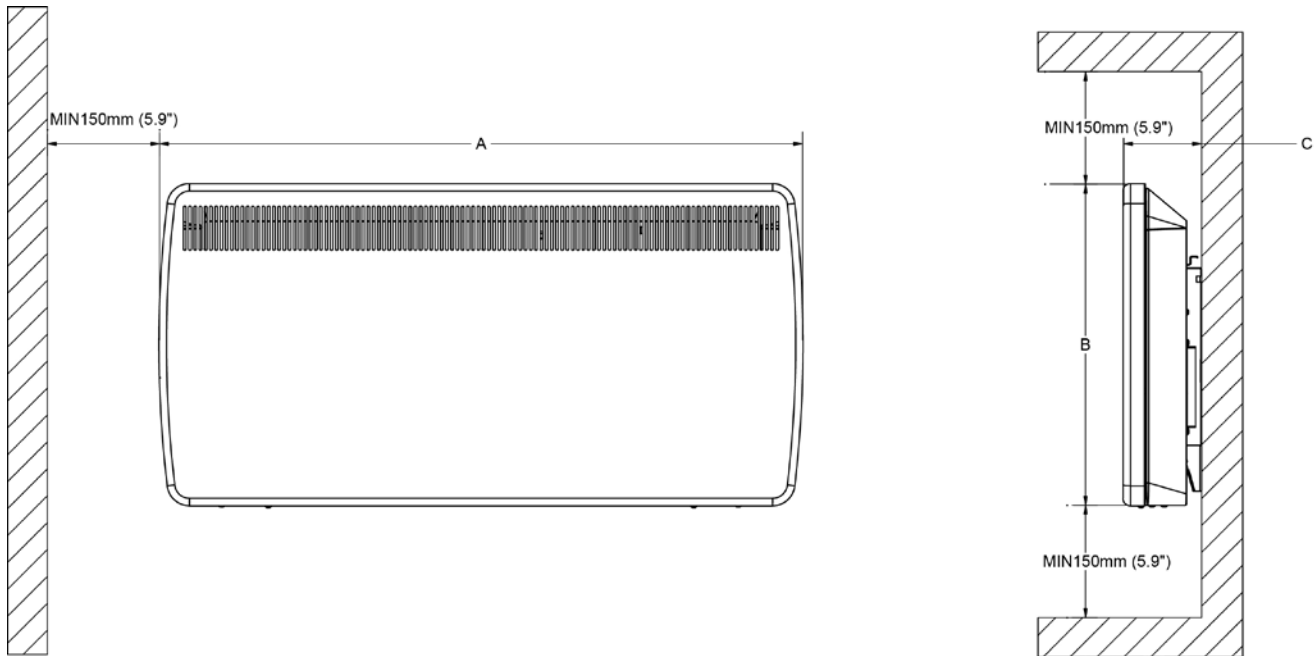
**Available in
Canada Only****Features****Color**
Finish
Voltage
Wattage
Construction

- White
- Polyester powder coated finish on body and grille
- 240V/208V 60Hz 1 phase
- 500/375W, 1000/750W, 1500/1125W, 2000/1500W
- 22-gauge steel front panel and back panel
- Hardwire connection
- Rear junction box with cable clamp
- Hinged wall mounting frame attached
- High-limit over-temperature protection with automatic reset
- Finned, steel sheathed element for durability and efficient heat transfer
- For use with a wall mounted electronic thermostat (Dimplex suggests HTC thermostats)
- Heater must be installed at least 6 inches from floor and side wall
- 2-year limited warranty on complete unit
- 10-year element warranty
- Family rooms, living rooms, bedrooms and home offices

**Heating element
Control****Installation
Warranty****Applications**

Convection Heater

DLX Series



Average Standard Watt Density 3.9W/cm²

Watts	Volts	Cat No.	Qty	Dimensions			Weight	
				Width (A)	Height (B)	Depth (C)	kg	lb
500/375	240/208	DLX0500		450mm (17.7")	430mm (16.9")	108mm (4.3")	3.78	8.3
1000/750	240/208	DLX1000		620mm (24.4")	430mm (16.9")	108mm (4.3")	5.2	11.4
1500/1125	240/208	DLX1500		690mm (27.2")	430mm (16.9")	108mm (4.3")	5.4	11.9
2000/1500	240/208	DLX2000		860mm (33.9")	430mm (16.9")	108mm (4.3")	6.7	14.7

Specifications may change without prior notice

Project:		Approval Information
Consultant Engineer:		
Electrician Contractor:		
Distributor:		
Date :		
Contact at Dimplex:		
Comments:		