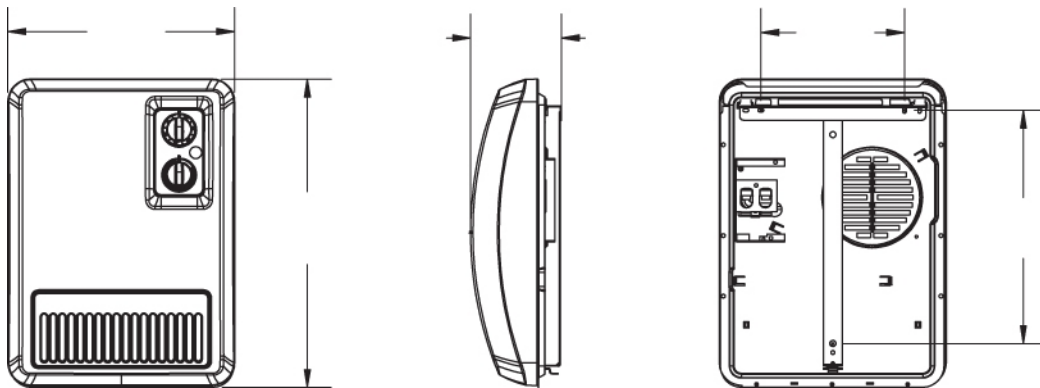




### EF Series Deluxe Mounted Fan Heater

Colour	Volts	BTU	Watts	Weight	Dimensions	Catalog Number	<input checked="" type="checkbox"/>
White	240/208	3412/6824 2559/5118	1000/2000 750/1500	4kg/8.8lbs.	300mmx405mmx120mm 12"x16"x4.75"	EF12	<input type="checkbox"/>



### SPECIFICATIONS

<b>VOLTAGE</b>	240/208V
<b>WATTAGE</b>	1000/ 750W (2000/1500W with timer)
<b>COLOUR</b>	White
<b>FINISH</b>	Polyester epoxy powder coat painted finish.
<b>CONSTRUCTION</b>	The front panel is made of 20 gauge steel.Wall mount bracker included.
<b>FAN &amp; MOTOR</b>	The two speed heavy duty fan motor is connected to a side aluminum fan. The fan delay is a bi-metallic snap action type.
<b>CONTROLS &amp; WIRING</b>	Built in thermostat with frost protection setting at 5C/41F. 60 minute timer energizes heat output when activated.
<b>WARRANTY</b>	Two year limited warranty on complete unit.