


## IMPORTANT INSTRUCTIONS


When using electrical appliances, basic precautions should always be followed to reduce the risk of fire, electric shock, and injury to persons, including the following:

1. Read all instructions before using the heater.
2. The heater is hot when in use. To avoid burns, do not let bare skin touch hot surfaces. The trim around the heater outlet becomes hot during heater operation. Keep combustible materials, such as furniture, pillows, bedding, papers, clothes, and curtains at least 3 ft (0.9 m) from the front of the unit and keep them away from the sides and rear.
3. Extreme caution is necessary when any heater is used by or near children or invalids and whenever the unit is left operating and unattended.
4. Do not operate any heater after it malfunctions. Disconnect power at the service panel and have the heater inspected by a reputable electrician before reusing.
5. Do not use outdoors.
6. To disconnect the unit, turn the controls off, and then switch off at main power supply panel.
7. Do not insert or allow foreign objects to enter any ventilation or exhaust opening as this may cause an electric shock or fire, or damage to the heater.
8. To prevent a possible fire, do not block air intake or exhaust in any manner.
9. All electrical heaters have hot and arcing or sparking parts inside. Do not use in areas where gasoline, paint, or flammable liquids are used or stored.
10. Do not modify this heater. Use it only as described in this manual. Any other use not recommended by the manufacturer may cause fire, electric shock or injury to persons.

## SAVE THESE INSTRUCTIONS

### Installation Instructions

 **WARNING:** To reduce the risk of fire, do not store or use gasoline or other flammable vapors or liquids in the vicinity of the heater.

 **CAUTION:** High temperature, risk of fire, keep electrical cords, drapery, furnishings, and other combustibles at least 3 feet (0.9 m) from the front of the heater.

#### Recessed Installation

1. Allow 12" (30cm) of service cable for connecting to wall box. Remove 6" (15cm) of the outer jacket and strip the individual conductors 1/4" (6mm) from the end.
2. Cut a wall opening 18 1/4" (46cm) high by 14 1/4" (36cm) wide (see Figure 1). Allow a minimum of 2" (5cm) clearance around wall opening to accommodate heater frame. Depth of wall opening must be 3 1/4" (8.3cm) minimum, measured from finished wall surface.
3. Remove the screws securing heater assembly to the wall box and separate. Keep all screws for heater reassembly.
4. Remove rear knockout at top corner of wall box and insert 1/2 cable connector. Bring service leads through connector and secure end of cable to the connector.
5. For safety, each wall heater is provided with a grounding screw located in the upper right corner of the wall

box. Connect ground lead and tighten screw for good electrical connection.

6. Place wall box in wall opening so the welded side brackets rest on finished wall surface, and secure box with four #10 Philips head wood screws, 1 1/2" long (not provided). Insert the wood screws through the inner set of flange holes at both top and bottom. Alternate holes are provided in sides of box for mounting to wood framing. (If wall box is installed prior to application of finished wall surface, set box to allow for wall thickness).
- ! NOTE:** When mounting wall box to hard wall surface, predrill mounting and clearance holes to prevent splitting wall surface.
7. Check nameplate on heater to make sure you are connecting to the proper voltage. Remove any packing material or debris from the heater assembly and wall box. Then connect service leads.
  8. Place heater assembly into the wall box. Check fan to see that it turns freely, and service leads are clear of fan area. Secure heater assembly to the wall box with four sheet metal screws (provided).
  9. Carefully position grille over heater assembly so that protruding switch and thermostat shaft do not bind against grille. Secure grille to heater assembly using two Phillips head sheet metal screws (provided). Push press-fit thermostat knob on shaft.
  10. Install the frame to the grille, securing its upper back edge behind the lip on the top of the wall box, and its lower edge with the single screw.
  11. Energize heater circuit and test heater (see operating instructions).

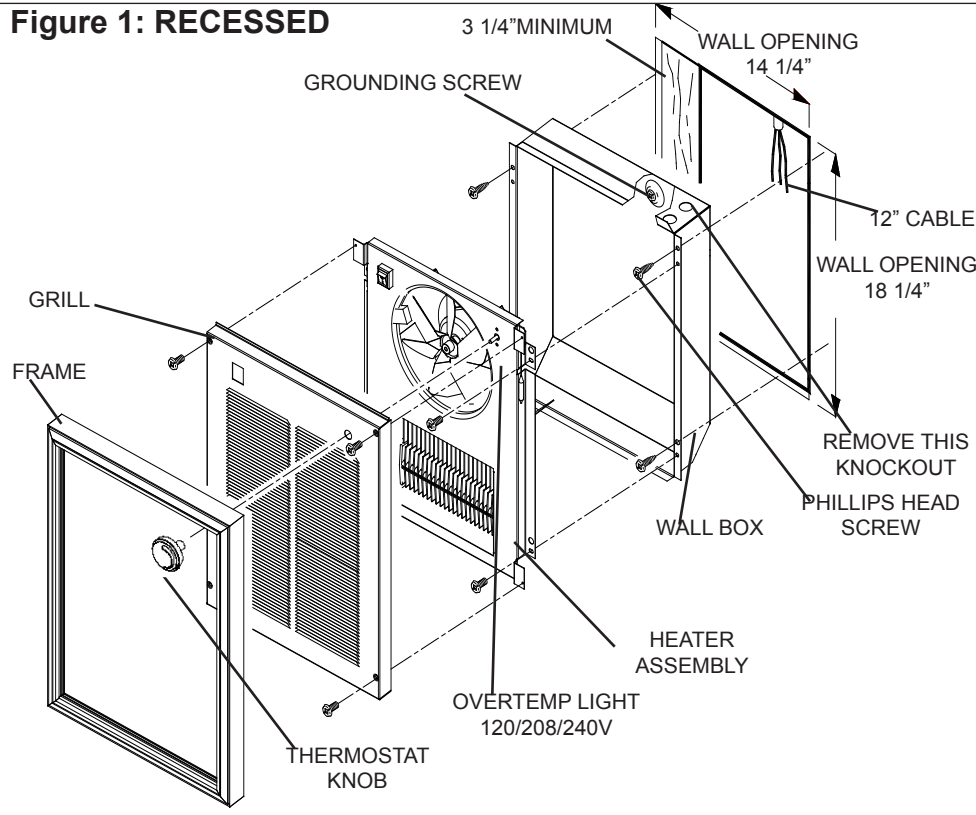
#### Surface Installation

1. Allow 30" (76cm) of service cable for connecting the heater (see Figure 2). Remove all but 2" (5cm) of outer jacket and strip individual conductors 1/4" (6mm) from end.
2. Mount surface box to the wall using the four provided #8 - 3/4" Philips head wood screws, inserted through mounting holes on the back side flanges. (For hard wall surfaces, pre-drill mounting holes to prevent splitting wall surface.)
3. Install 1/2 cable connector in hole on bottom of surface box near right side. Feed service leads through and secure end of cable to the connector.
4. Remove the rear knockout on top of heater wall box near right side and insert bushing (provided). Feed service wires through bushing. Secure wall box to surface box with four sheet metal screws (provided with the surface box). Screws are inserted through the inside holes on the flanges.
5. Proceed with steps 7 through 11 inclusive in recessed heater installation instructions.

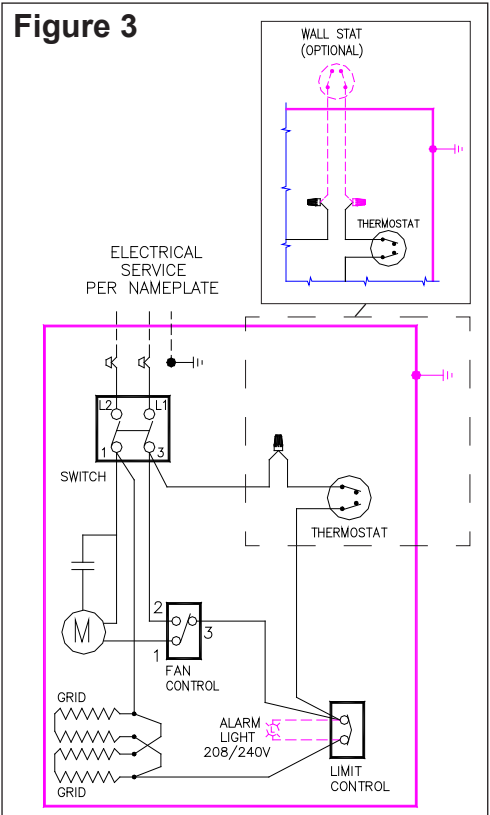
#### Wiring

Two conductor non-metallic sheath cable with ground wire is recommended for recessed installation of these heaters while two conductor, metallic sheath cable (BX) is recommended for surface installations. Use number 12 gauge wire for all models. Each heater should be on an individual, properly

**Figure 1: RECESSED**



**Figure 3**

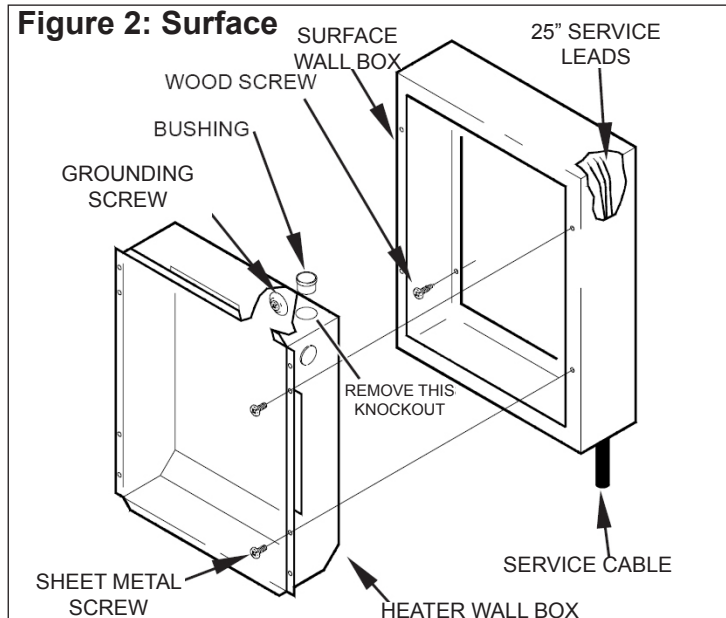


fused circuit.

**⚠ WARNING:** Wiring procedures and connections should be in accordance with the National Electric code (NEC) and local codes.

1. When installing optional wall thermostat, unit mounted thermostat must be set at it's highest setting.
2. All external control equipment (shown with dashed lines) furnished by customer. Control wiring must be suitable for 600V.
3. Heater branch circuits shall have a carrying capacity of no less than 125% of maximum load served.

**Figure 2: Surface**



## Operation

**⚠ WARNING:** This heater must be properly installed before it is used.

These heaters are operated by an on/off switch and also a temperature control with a knob.

1. Turn the switch ON. Remember there is a fan delay.
2. Set thermostat by turning the knob to desired room comfort level (clockwise to increase heat output). Once you have determined the proper setting to provide the heat level you prefer, you need not touch the knob again.
3. Turn the switch OFF to turn off heater. To reuse, simply turn the switch ON - the temperature level you wish has been previously set.

**! NOTE:** This heater is equipped with a fan delay switch which delays the fan operation until the heating grid has heated sufficiently to assure the circulation of only warm air. This same switch permits the fan to operate after power to the grid has been shut off by thermostat action, thus utilizing all the heat remaining in the grid.

When the heater is shut down by turning the switch OFF, power to both fan motor and element is disconnected and the fan motor will not continue to operate.

**⚠ WARNING:** Should the OVERTEMP light come on, disconnect power to the heater, turn the switch OFF or turn down the thermostat fully counterclockwise and call a licenced electrician. **DO NOT USE HEATER UNTIL PROBLEM IS DETERMINED AND FIXED.**

## Tamper Proof Models

The ON/OFF switch and the temperature regulating thermostat are recessed so that the continuous grille front panel can be installed concealing both controls. The thermostat is operated by removing the front panel. The ON/OFF switch can be operated by inserting a slender non metallic rod between grille louvers and turning the switch ON or OFF.

## Maintenance

**⚠ WARNING:** Disconnect power and heater has cooled before attempting any maintenance or cleaning to reduce the risk of fire, electric shock or damage to persons.

! **NOTE:** This heater should not be operated with an accumulation of dust or dirt on or in the unit, as this can cause a build up of heat and eventual damage. For this reason the heater must be inspected regularly, depending upon conditions and at least at yearly intervals.

**⚠ CAUTION:** Before removing heater parts, open branch service switch or remove fuses. These are located at the distribution panel.

To clean, remove frame, grille and heater assembly. Remove any dust and dirt from wall box and heater assembly with a soft cloth or brush, then re-install heater assembly making sure that the fan turns freely and service leads are away from fan area. The frame and grille may be washed with a mild detergent, however make sure they are thoroughly rinsed and dried before re-installation.

## Warranty

The Manufacturer warrants the heating elements and components of the enclosed product against any defect in material or workmanship for a period of one year from the date of purchase. In full satisfaction of any claims under this Warranty the Manufacturer will repair or replace without charge, in its factory or in the field as it alone may decide, any parts which in its opinion are defective.

The Manufacturer shall not be responsible for any transportation or shipping costs in relation to such repair or replacement except as specifically assumed by it. Misuse of this product or repairs by persons other than the Manufacturer's authorized personnel without the Manufacturer's written approval, will void this Warranty.

This Warranty is in lieu of all other warranties or conditions whether express or implied including but not limited to those of merchantability or fitness for purpose and shall constitute the sole remedy of the Purchaser and the sole liability of the Manufacturer in respect of the sale of the product, whether in the nature of breach or breach of fundamental term, or of negligence or otherwise.

The Manufacturer shall not be liable for any special, indirect or consequential damages or for any damages resulting from removal or replacement of a heater subject to warranty claim without the Manufacturer's authorization.

This Warranty is transferable by the original consumer purchaser of the product. Any claims under this Warranty must be submitted in writing to the Service Manager, Dimplex North America Ltd., 1367 Industrial Rd., Cambridge, Ontario N1R 7G8, Canada.

## Replacement Parts

Fan Blade .....	5300190159RP
Cut Out .....	02005375RP
Fan Delay .....	2300100000RP
Thermostat .....	2600060100RP
Grill .....	1019030168RP
Knob .....	8800540368RP

CATALOGUE NO.	MOTOR	CAPACITOR	ELEMENT	THERMOSTAT	SWITCH
EWA30C21	2000260400RP	3200070100RP	2200220300RP	2600060100RP	2800071200RP
EWA30C31			2200220100RP		
EWA30C41	2000260500RP	3200070400RP	2200220400RP	2600060700RP	2800071300RP
EWA40C21	2000260400RP	3200070100RP	2200220200RP		
EWA40C31			2200220300RP		
EWA40C41	2000260500RP	3200070400RP	2200220100RP	2600060100RP	

**Dimplex®**

1367 Industrial Road • Cambridge ON Canada N1R 7G8

1-888-346-7539 • www.dimplex.com



In keeping with our policy of continuous product improvement, we reserve the right to make changes without notice.

© 2013 Dimplex North America Limited