

SUBMITTAL SHEET

GUX SERIES

**Explosion PROOF
UNIT HEATERS**

GUX SERIES - EXPLOSION PROOF UNIT HEATERS

JOB NAME: _____

LOCATION: _____

ARCHITECT: _____

ENGINEER: _____

CONTRACTOR: _____

SUBMITTED BY: _____

DATE: _____

ITEM	QTY.	CATALOG NUMBER	TAG	WATTS	VOLTS	Ø	AMPS	OPTIONAL CONTROLS	MOUNTING TYPE

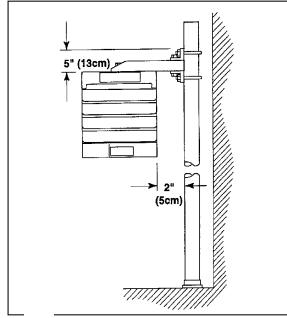
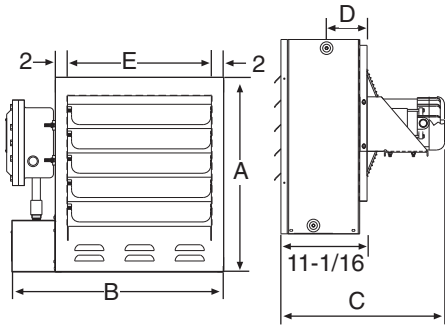
ACCESSORIES
AND
CONTROLS

ITEM	QTY.	CAT. NO.	TAG	DESCRIPTION

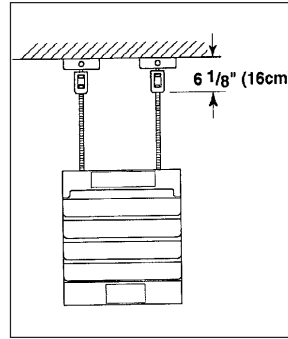
SUBMITTED BY:	DATE	APPROVED BY:	DATE



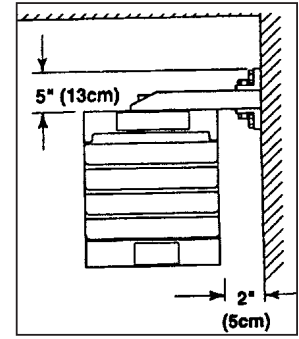
470 Beauty Spot Rd. E, Bennettsville, SC 29512
visit www.qmarkmep.com for more info



Pole Mounting Bracket



Ceiling Mounting Bracket



Wall Mounting Bracket

ARCHITECT'S AND ENGINEER'S SPECIFICATIONS*

Electric explosion proof unit heaters shall be supplied by QMark, a Marley Engineered Products Brand, Bennettsville, SC, USA, and shall be of the KW rating, voltage and phase specified in the schedule. They shall be fan-forced type, UL and cUL Approved for Class I, Divisions 1 and 2, Group C and D; Class II, Divisions 1 and 2, Groups E, F and G.

Unit heaters shall have manual reset thermal cutout for over-temperature protection, controlling magnetic contactor and 24 Volt control circuit transformer housed in a NEMA 7, 9 cast aluminum enclosure.

The heat exchanger shall be liquid-to-air design, utilizing a steel tube core with integral aluminum fins. Nontoxic, inhibited, propylene glycol heat transfer fluid shall be used that provides freeze protection down to -49° F (-45°C). A Pressure relief plug shall be utilized to

provide overpressure protection. The heat exchanger shall include industrial grade electric heating elements.

Heat exchanger and aluminum fan blade to be enclosed in an industrial grade, corrosion-resistant cabinet fabricated from polyester powder-coated, 14 gauge steel. Adjustable outlet louvers to have minimum opening safety stops.

Fan motor shall include permanently lubricated ball bearings and built-in thermal overload protection. Motor to operate at line voltage and be prewired to the control enclosure to eliminate the need for

separate field wiring to the motor.

The heater shall be provided with an accessory mounting kit designed to bear the weight of heater assembly. Chose from either a ceiling mounting kit, wall mounting kit, or a pole mounting kit.

The following factory installed and prewired control options are to be supplied: adjustable built-in thermostat, disconnect switch with external handle, fan only switch, 120 Volt control circuit for special external thermostat circuit, pilot light (to indicate abnormal operation.)

The following optional motors are to be installed and prewired to the control enclosure: 50 hertz for international requirements, Arctic duty for -40° F (-40° C) operation raises ITC to T2B, Class I, Group D only, or Class II Group E metal dust location.

DIMENSIONS

UNIT SIZE	A		B		C		D		E	
	IN.	MM	IN.	MM	IN.	MM	IN.	MM	IN.	MM
3-10KW	19-1/8	486	23-7/8	606	21	533	3-1/5	89	13-5/8	346
15-20KW	25	635	27-7/8	708	21	533	4-13/32	112	17-5/8	448
25-35KW	32-1/8	816	31-7/8	810	21-3/4	552	5-1/2	140	21-5/8	549

SELECTION CHART

CATALOG NUMBER	HEATER VOLTS	WATTS (KW)	PHASE	CONTROL VOLTAGE*	OUTPUT BTU/HR.	TOTAL AMPS	VOLUME CFM	AIR TEMP RISE	THROW	WT. (lbs.)
GUX300812	208	3	1	24	10,236	16.7	700	13°F	28 ft.	133
GUX300832	208	3	3	24	10,236	9.7	700	13°F	28 ft.	133
GUX300412	240	3	1	24	10,236	14.8	700	13°F	28 ft.	133
GUX300432	240	3	3	24	10,236	8.6	700	13°F	28 ft.	133
GUX3004832	480	3	3	24	10,236	4.3	700	13°F	28 ft.	133
GUX300632	600	3	3	24	10,236	3.6	700	13°F	28 ft.	133
GUX500812	208	5	1	24	17,060	26.3	700	22°F	28 ft.	133
GUX500832	208	5	3	24	17,060	15.3	700	22°F	28 ft.	133
GUX500412	240	5	1	24	17,060	33.6	700	22°F	28 ft.	133
GUX500432	240	5	3	24	17,060	19.4	700	22°F	28 ft.	133
GUX5004832	480	5	3	24	17,060	9.7	700	22°F	28 ft.	133
GUX500632	600	5	3	24	17,060	8.1	700	22°F	28 ft.	133
GUX750812	208	7.5	1	24	25,590	38.4	840	27°F	28 ft.	133
GUX750832	208	7.5	3	24	25,590	22.2	840	27°F	28 ft.	133
GUX750412	240	7.5	1	24	25,590	33.6	840	27°F	28 ft.	133
GUX750432	240	7.5	3	24	25,590	19.4	840	27°F	28 ft.	133
GUX7504832	480	7.5	3	24	25,590	9.7	840	27°F	28 ft.	133
GUX750632	600	7.5	3	24	25,590	8.1	840	27°F	28 ft.	133
GUX1000832	208	10	3	24	34,120	29.2	840	36°F	32 ft.	138
GUX1000412	240	10	1	24	34,120	44.5	840	36°F	32 ft.	138
GUX1000432	240	10	3	24	34,120	25.5	840	36°F	32 ft.	138
GUX10004832	480	10	3	24	34,120	12.7	840	36°F	32 ft.	138
GUX1000632	600	10	3	24	34,120	10.6	840	36°F	32 ft.	138
GUX1500832	208	15	3	24	51,180	43.0	1450	31°F	47 ft.	158
GUX1500432	240	15	3	24	51,180	37.5	1450	31°F	47 ft.	158
GUX15004832	480	15	3	24	51,180	18.7	1450	31°F	47 ft.	158
GUX1500632	600	15	3	24	51,180	15.7	1450	31°F	47 ft.	158
GUX20004832	480	20	3	24	68,240	24.8	1400	43°F	43 ft.	169
GUX2000632	600	20	3	24	68,240	20.7	1400	43°F	43 ft.	169
GUX25004832	480	25	3	24	85,300	31.1	2330	32°F	54 ft.	214
GUX2500632	600	25	3	24	85,300	25.8	2330	32°F	54 ft.	214
GUX30004832	480	30	3	24	102,360	37.1	2330	39°F	54 ft.	214
GUX3000632	600	30	3	24	102,360	30.2	2330	39°F	54 ft.	214
GUX35004832	480	35	3	24	119,450	43.1	2330	45°F	54 ft.	216
GUX3500632	600	35	3	24	119,450	33.8	2330	45°F	54 ft.	216

ACCESSORIES

GUXPM12	Pole Mounting Bracket for units 3KW thru 10KW.
GUXPM16	Pole Mounting Bracket for units 15KW thru 20KW.
GUXPM18	Pole Mounting Bracket for units 25KW thru 35KW.
GUXWM12	Wall Mounting Kit for units 3KW thru 10KW.
GUXWM16	Wall Mounting Kit for units 15KW thru 20KW.
GUXWM18	Wall Mounting Kit for units 25KW thru 35KW.
GUXCMO	Ceiling/Hang Mounting Kit for all Models.
JC80EP	Wall Mounted Thermostat.

Specify type of mounting bracket required at time of order entry.

*Note: Above models have built-in 24 volt control. Optional 120 volt control is available. Replace the "2" suffix with "1" for 120 volt control.